

WOB-L® PISTON

Compressors

405 Series

MODELS:

Standard models available:

405AA38, 405AD38, 405ADC38-12

Other models based on availability and minimum purchase.

FEATURES (AC and DC):

- Single cylinder
- Oil-less, non-lube piston and cylinder
- Permanently lubricated bearings
- Stainless steel valves
- Aluminum valve plates
- Lightweight die cast aluminum components
- Long-life, high performance PTFE compound piston seal
- Thin wall, hard-coated aluminum cylinder for maximum heat transfer
- Balanced for smooth, low vibration operation
- Field service capability
- All wetted aluminum parts treated for corrosion protection from moisture
- All other wetted parts stainless steel
- 115 Volt, UL recognized motor and thermal protector (AC only)
- CE approved, 220-240/50 Hz standard models (consult factory for non-standard & TUV approved models)

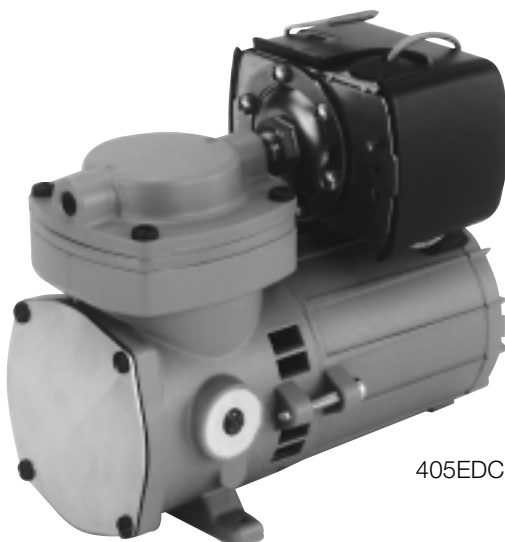
Consult factory for custom applications



405ADC



405AA
405AD



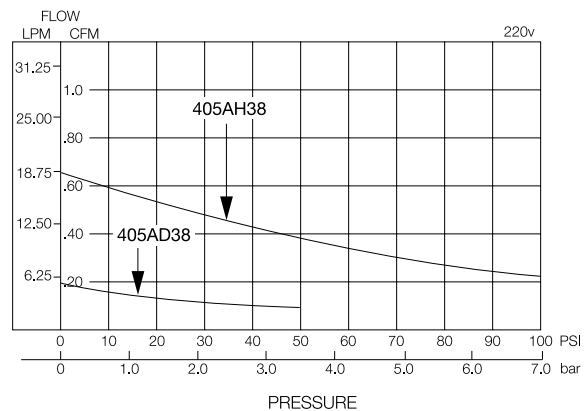
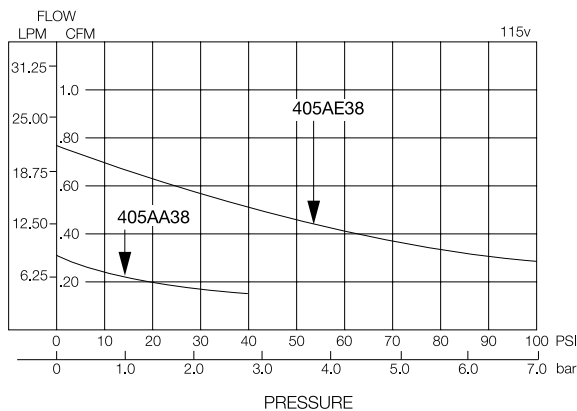
405EDC



405AE
405AH

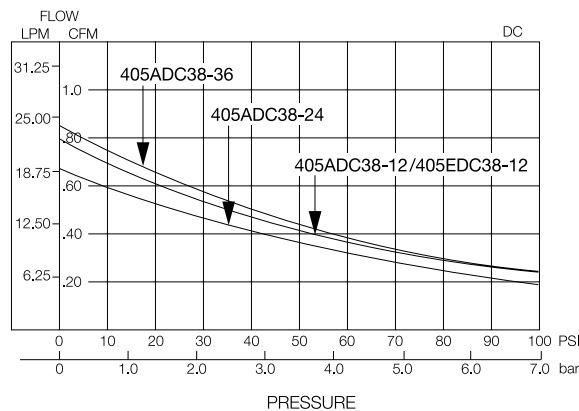
405 SERIES (AC) PERFORMANCE DATA:

		405AE38		405AH38		STANDARD 405AA38		STANDARD 405AD38	
MODEL NUMBER:		405AE38		405AH38		405AA38		405AD38	
HEAD CONFIGURATION:		Pressure Only		Pressure Only		Pressure Only		Pressure Only	
STROKE:		.380 Inches		.380 Inches		.380 Inches		.380 Inches	
PRESSURE:		Flow @ 115v		Flow @ 220v		Flow @ 115v		Flow @ 220v	
CFM @ PSI	LPM @ bar								
PSI	bar	CFM	LPM	CFM	LPM	CFM	LPM	CFM	LPM
0	0	.77	21.8	.65	18.4	.32	9.0	.20	5.6
10	.5	.72	20.7	.62	17.7	.27	8.0	.20	5.6
20	1.0	.66	19.6	.56	16.7	.24	7.2	.16	5.1
30	1.5	.61	18.4	.52	15.6	.20	6.5	.13	4.3
40	2.0	.56	17.4	.46	14.8	.17	5.7	.11	3.7
50	3.0	.51	15.3	.41	12.5		4.5		2.9
60	5.0	.47	11.5	.38	9.4				
70	7.0	.43	8.0	.34	6.0				
80		.34		.31					
90		.32		.27					
100		.29		.22					
MAX. CONTINUOUS PRESSURE:		50 PSI	3.4 bar	50 PSI	3.4 bar	20 PSI	1.4 bar	20 PSI	1.4 bar
MAX. INTERMITTENT PRESSURE:		100 PSI	7.0 bar	100 PSI	7.0 bar	40 PSI	2.8 bar	40 PSI	2.8 bar
MAX. AMBIENT TEMPERATURE:		104°F	40°C	104°F	40°C	104°F	40°C	104°F	40°C
MIN. AMBIENT TEMPERATURE:		50°F	10°C	50°F	10°C	50°F	10°C	50°F	10°C
MAX. RESTART PRESSURE:		0 PSI	0 bar	0 PSI	0 bar	0 PSI	0 bar	0 PSI	0 bar
MOTOR VOLTAGE/FREQUENCY:		115/60/1		220/50/1		115/60/1		220/50/1	
HORSEPOWER:		1/12		1/12		1/20		1/20	
MOTOR TYPE:		PSC		PSC		Shaded Pole		Shaded Pole	
CURRENT AT RATED LOAD AMPS:		1.60		.80		1.65		1.00	
POWER AT RATED LOAD (WATTS):		170		120		110		120	
STARTING CURRENT (LOCKED ROTOR, AMPS):		2.35		1.25		2.55		1.00	
INSULATION CLASS:		B		A		A		B	
MIN. FULL LOAD SPEED (RPM):		3250		2675		1575		1175	
THERMAL PROTECTOR:		Yes		Yes		Yes		Yes	
CAPACITOR VALUE:		7 mfd		4 mfd		Not Required		Not Required	
NET WEIGHT:		6.5 lbs.	2.95 Kg	6.5 lbs.	2.95 Kg	5.5 lbs.	2.5 Kg	5.5 lbs.	2.5 Kg

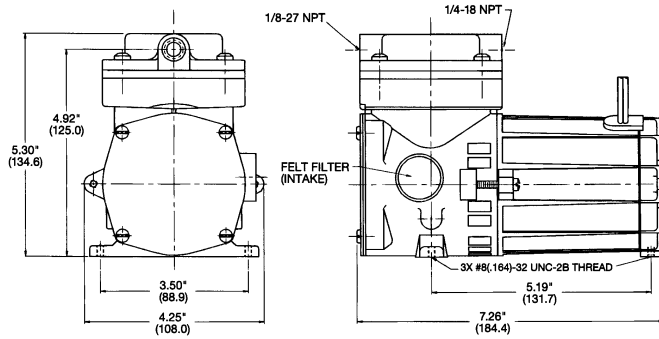


405 SERIES (DC) PERFORMANCE DATA:

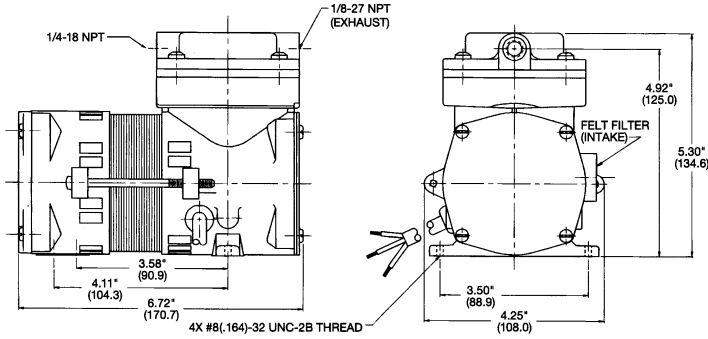
		STANDARD							
MODEL NUMBER:		405ADC38-12		405ADC38-24		405ADC38-36		405EDC38-12	
HEAD CONFIGURATION:		Pressure Only		Pressure Only		Pressure Only		Pressure Only	
STROKE:		.380 Inches		.380 Inches		.380 Inches		.380 Inches	
PRESSURE:		Flow @ 12v		Flow @ 24v		Flow @ 36v		Flow @ 12v	
CFM @ PSI		LPM @ bar							
PSI	bar	CFM	LPM	CFM	LPM	CFM	LPM	CFM	LPM
0	0	.79	22.3	.66	18.6	.83	23.5	.79	22.3
10	.5	.75	20.7	.60	17.4	.76	22.0	.71	20.7
20	1.0	.71	19.0	.52	15.9	.67	20.3	.63	19.0
30	1.5	.63	17.4	.45	14.3	.60	18.6	.56	17.4
40	2.0	.56	16.0	.41	12.9	.54	17.1	.50	16.0
50	3.0	.41	13.2	.35	11.0	.49	14.7	.41	13.2
60	5.0	.38	9.9	.30	7.4	.44	10.7	.38	9.9
70	7.0	.36	6.6	.27	5.3	.39	6.5	.36	6.6
80		.33		.24		.35		.33	
90		.27		.20		.30		.27	
100		.24		.19		.24		.24	
MAX. CONTINUOUS PRESSURE:		100 PSI	7.0 bar	100 PSI	7.0 bar	100 PSI	7.0 bar	100 PSI	7.0 bar
MAX. INTERMITTENT PRESSURE:		100 PSI	7.0 bar	100 PSI	7.0 bar	100 PSI	7.0 bar	100 PSI	7.0 bar
MAX. AMBIENT TEMPERATURE:		104°F	40°C	104°F	40°C	104°F	40°C	104°F	40°C
MIN. AMBIENT TEMPERATURE:		50°F	10°C	50°F	10°C	50°F	10°C	50°F	10°C
MAX. RESTART PRESSURE:		100 PSI	7.0 bar	100 PSI	7.0 bar	100 PSI	7.0 bar	100 PSI	7.0 bar
MOTOR VOLTAGE/FREQUENCY:		12v-DC		24v-DC		36v-DC		12v-DC	
HORSEPOWER:		1/10		1/10		1/10		1/10	
MOTOR TYPE:		Permanent Magnet		Permanent Magnet		Permanent Magnet		Permanent Magnet	
CURRENT AT RATED LOAD (AMPS):		10.5		4.5		2.1		10.5	
POWER AT RATED LOAD (WATTS):		—		—		—		—	
STARTING CURRENT (LOCKED ROTOR, AMPS):		25.0		13.0		8.0		25.0	
INSULATION CLASS:		A		A		A		A	
MIN. FULL LOAD SPEED (RPM):		3310		2475		3210		3310	
THERMAL PROTECTOR:		Yes		Yes (fuse)		Yes (fuse)		Yes	
PRESSURE SWITCH SETTING:		—		—		—		95-125 PSI	
NET WEIGHT:		4.3 lbs.	1.95 Kg	4.3 lbs.	1.95 Kg	4.3 lbs.	1.95 Kg	5.3 lbs.	2.4 Kg



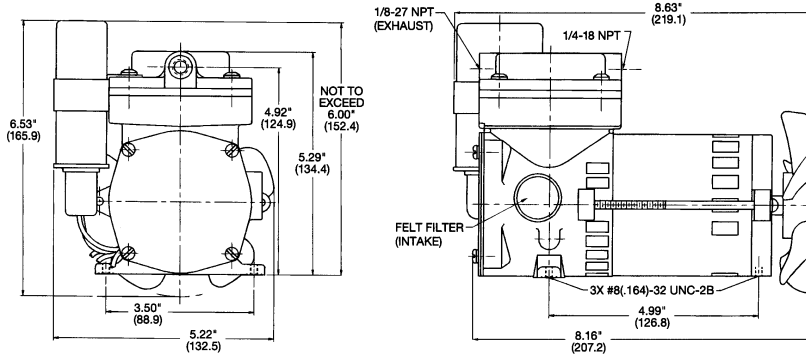
DIMENSIONS Millimeters are in ()



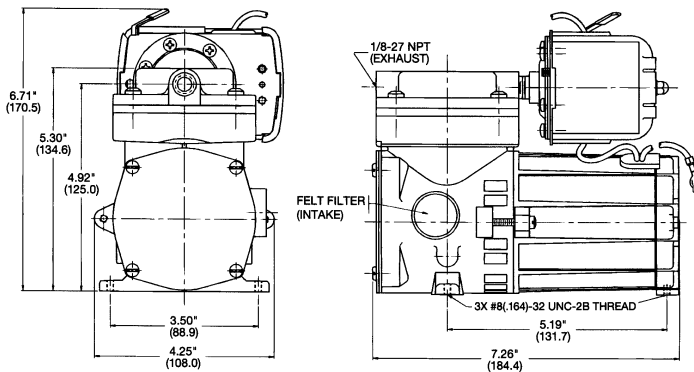
405ADC



405AA / 405AD



405AE / 405AH



405EDC

The information presented in this material is based on technical data and test results of nominal units. It is believed to be accurate and reliable and is offered as an aid to help in the selection of Thomas products. It is the responsibility of the user to determine the suitability of the product for his intended use and the user assumes all risk and liability whatsoever in connection therewith. Thomas Industries does not warrant, guarantee or assume any obligation or liability in connection with this information.

Note: Models pictured are representative of the series and do not represent a specific model number. Consult factory for detailed physical description.