

WOB-L PISTON

Pumps and Compressors 307/327/337 Series

MODELS:

Standard models available.

307CDC56/12, 327CDC40/12, 337CDC56/12

Other models based on availability and minimum purchase.

FEATURES:

- Oil-less
- Die cast aluminum components
- Steel mounting brackets with vibration isolators
- Stainless steel valves
- PTFE piston ring
- Thermally protected motor
- Intermittent duty only
- All wetted aluminum parts treated for corrosion protection from moisture
- All other wetted parts stainless steel
- Radiated Emissions Suppression (307 Standard/327 Optional)

Consult factory for custom applications



307/327/337CDC Series



307/327DDC Series

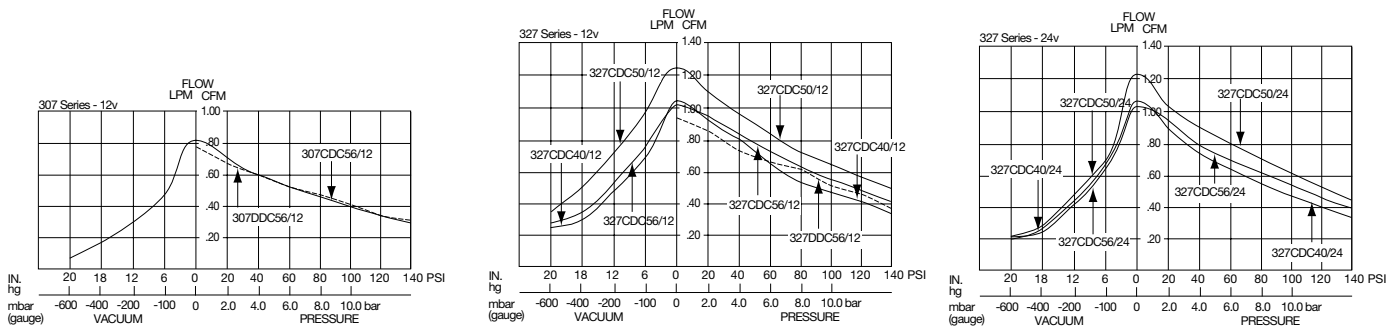
307/327/337 SERIES PERFORMANCE DATA:

		STANDARD		STANDARD		STANDARD		STANDARD		STANDARD		STANDARD		STANDARD	
MODEL NUMBER:		307CDC56/12		327CDC40/12		327CDC50/12		327CDC56/12		327CDC40/24		327CDC50/24		327CDC56/24	
HEAD CONFIGURATION:		Pressure/Vacuum		Pressure/Vacuum		Pressure/Vacuum		Pressure/Vacuum		Pressure/Vacuum		Pressure/Vacuum		Pressure/Vacuum	
STROKE:		.560 Inches		.400 Inches		.500 Inches		.560 Inches		.400 Inches		.560 Inches		.560 Inches	
PRESSURE:		Flow @ 12v		Flow @ 12v		Flow @ 12v		Flow @ 12v		Flow @ 24v		Flow @ 24v		Flow @ 24v	
CFM @ PSI	LPM @ bar														
PSI	bar	CFM	LPM	CFM	LPM	CFM	LPM	CFM	LPM	CFM	LPM	CFM	LPM	CFM	LPM
0	0	0.81	23.0	1.12	31.2	1.23	34.8	1.08	30.6	1.05	29.7	1.21	34.3	1.03	29.2
20	2	0.69	18.5	0.94	24.8	1.11	27.2	0.98	25.5	0.89	23.4	1.05	27.7	0.91	24.2
40	4	0.6	15.8	0.81	18.7	0.96	24.5	0.82	20.7	0.76	19.0	0.89	23.2	0.8	19.5
60	6	0.53	13.3	0.66	15.0	0.84	20.2	0.73	17.4	0.67	14.5	0.81	19.1	0.69	16.3
80	8	0.46	11.9	0.57	11.6	0.74	17.3	0.66	14.6	0.54	11.3	0.71	15.0	0.62	13.4
100	10	0.4	9.6	0.49	9.3	0.64	15.0	0.57	11.6	0.49	9.3	0.62	13.0	0.53	11.3
120		0.36		0.41		0.58		0.5		0.4		0.52		0.47	
140		0.31		0.33		0.5		0.41		0.33		0.44		0.4	
MAX. INTERMITTENT PRESSURE:		150 PSI	10.3 bar	150 PSI	10.3 bar	150 PSI	10.3 bar	150 PSI	10.3 bar	150 PSI	10.3 bar	150 PSI	10.3 bar	150 PSI	10.3 bar
MAX. DUTY CYCLE: (MINUTES ON/OFF AT 23°C AND 100 PSI)		40% (13 on / 20 off)		40% (13 on / 20 off)		30% (8.5 on / 20 off)		30% (8.5 on / 20 off)		40% (13 on / 20 off)		30% (8.5 on / 20 off)		35% (10.5 on / 20 off)	
VACUUM:		Flow @ 12v		Flow @ 12v		Flow @ 12v		Flow @ 12v		Flow @ 24v		Flow @ 24v		Flow @ 24v	
CFM @ IN. hg	LPM @ mbar (gauge)														
IN. hg	mbar (gauge)	CFM	LPM	CFM	LPM	CFM	LPM	CFM	LPM	CFM	LPM	CFM	LPM	CFM	LPM
0	0	0.81	23.0	1.12	31.2	1.23	34.8	1.08	30.6	1.05	29.7	1.21	34.3	1.03	29.2
6	-100	0.48	16.1	0.69	22.9	0.99	32.2	0.76	26.0	0.62	20.1	0.7	22.9	0.62	21.0
12	-200	0.32	13.6	0.48	19.8	0.72	28.3	0.55	21.5	0.43	17.6	0.49	19.8	0.42	17.8
18	-400	0.18	9.3	0.3	13.8	0.45	20.3	0.34	15.8	0.25	11.9	0.27	14.2	0.23	12.7
20	-600	0.14	5.1	0.24	8.4	0.36	13.0	0.26	10.1	0.2	6.5	0.21	7.9	0.21	7.1
MAX. VACUUM:		25.0" hg	844.2 mbar	25.0" hg	844.2 mbar	25.0" hg	844.2 mbar	25.0" hg	844.2 mbar	25.0" hg	844.2 mbar	25.0" hg	844.2 mbar	25.0" hg	844.2 mbar
MAX. AMBIENT TEMPERATURE:		158°F	70°C	158°F	70°C	158°F	70°C	158°F	70°C	158°F	70°C	158°F	70°C	158°F	70°C
MIN. AMBIENT TEMPERATURE:		40°F	-40°C	40°F	-40°C	40°F	-40°C	40°F	-40°C	40°F	-40°C	40°F	-40°C	40°F	-40°C
MAX. RESTART PRESSURE:		150 PSI	10.3 bar	150 PSI	10.3 bar	150 PSI	10.3 bar	150 PSI	10.3 bar	150 PSI	10.3 bar	150 PSI	10.3 bar	150 PSI	10.3 bar
MAX. RESTART VACUUM:		25.0" hg	844.2 mbar	25.0" hg	844.2 mbar	25.0" hg	844.2 mbar	25.0" hg	844.2 mbar	25.0" hg	844.2 mbar	25.0" hg	844.2 mbar	25.0" hg	844.2 mbar
MOTOR VOLTAGE/FREQUENCY:		12v DC		12v DC		12v DC		12v DC		24v DC		24v DC		24v DC	
HORSEPOWER:		1/5		1/5		1/5		1/5		1/5		1/5		1/5	
MOTOR TYPE:		Permanent Magnet		Permanent Magnet		Permanent Magnet		Permanent Magnet		Permanent Magnet		Permanent Magnet		Permanent Magnet	
CURRENT AT RATED LOAD (AMPS):		13.7		16.5		19.6		17.2		6.4		9.8		8.2	
STARTING CURRENT (LOCKED ROTOR AMPS):		71		110		110		110		60		60		60	
INSULATION CLASS:		B		B		B		B		B		B		B	
MIN. FULL LOAD SPEED (RPM):		2300		3100		3000		3100		3100		2900		3000	
THERMAL PROTECTOR:		Yes		Yes		Yes		Yes		Yes		Yes		Yes	
NET WEIGHT:		6.0 lbs.	2.72 Kg	6.0 lbs.	2.72 Kg	6.0 lbs.	2.72 Kg	6.0 lbs.	2.72 Kg	6.0 lbs.	2.72 Kg	6.0 lbs.	2.72 Kg	6.0 lbs.	2.72 Kg

* Duty cycle may vary by application - consult factory

The information presented in this material is based on technical data and test results of nominal units. It is believed to be accurate and reliable and is offered as an aid to help in the selection of Thomas products. It is the responsibility of the user to determine the suitability of the product for his intended use and the user assumes all risk and liability whatsoever in connection therewith. Thomas Industries does not warrant, guarantee or assume any obligation or liability in connection with this information.

Note: Models pictured are representative of the series and do not represent a specific model number. Consult factory for detailed physical description.



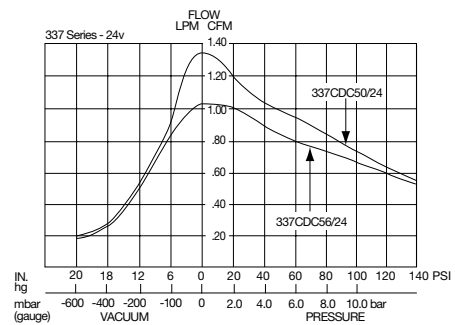
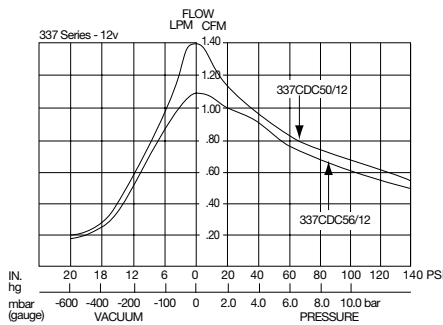
307/327/337 SERIES PERFORMANCE DATA:

								STANDARD					
MODEL NUMBER:		307DDC56/12**		327DDC56/12**		337CDC50/12		337CDC56/12		337CDC50/24		337CDC56/24	
HEAD CONFIGURATION:		Pressure		Pressure		Pressure/Vacuum		Pressure/Vacuum		Pressure/Vacuum		Pressure/Vacuum	
STROKE:		.560 Inches		.560 Inches		.500 Inches		.560 Inches		.500 Inches		.560 Inches	
PRESSURE:		Flow @ 12v		Flow @ 12v		Flow @ 12v		Flow @ 12v		Flow @ 24v		Flow @ 24v	
CFM @ PSI		LPM @ bar											
PSI	bar	CFM	LPM	CFM	LPM	CFM	LPM	CFM	LPM	CFM	LPM	CFM	LPM
0	0	0.79	22.4	0.94	26.6	1.4	39.65	1.15	32.56	1.37	38.6	1.16	32.85
20	2	0.67	18.0	0.83	22.2	1.17	30.59	1.0	26.62	1.2	32.0	1.01	26.9
40	4	0.6	14.7	0.74	18.7	0.99	24.21	0.88	22.37	1.06	27.22	0.89	22.91
60	6	0.53	12.9	0.67	16.5	0.84	20.3	0.78	18.93	0.95	22.89	0.8	20.55
80	8	0.48	10.5	0.61	13.9	0.74	17.91	0.7	16.43	0.84	19.54	0.75	17.56
100	10	0.41	8.2	0.53	10.2	0.67	15.22	0.61	14.1	0.75	15.05	0.68	15.36
120		0.36		0.48		0.62		0.57		0.63		0.6	
140		0.33		0.38		0.55		0.5		0.58		0.56	
MAX. INTERMITTENT PRESSURE:		150 PSI	10.3 bar	150 PSI	10.3 bar	150 PSI	10.3 bar	150 PSI	10.3 bar	150 PSI	10.3 bar	150 PSI	10.3 bar
MAX. DUTY CYCLE: (MINUTES ON/OFF AT 23°C AND 100 PSI)		40% (13 on / 20 off)		35% (10.5 on / 20 off)		40% (13 on / 20 off)		46% (18 on / 20 off)		40% (13 on / 20 off)		46% (18 on / 20 off)	
VACUUM:		Flow @ 12v		Flow @ 12v		Flow @ 12v		Flow @ 12v		Flow @ 24v		Flow @ 24v	
CFM @ IN. hg		LPM @ mbar (gauge)											
IN. hg	mbar (gauge)	CFM	LPM	CFM	LPM	CFM	LPM	CFM	LPM	CFM	LPM	CFM	LPM
0	0					1.4	39.65	1.15	32.56	1.37	38.8	1.16	32.85
6	-100					0.93	33.1	0.83	28.11	0.94	33.18	0.84	28.19
12	-200					0.58	36.96	0.54	23.75	0.57	26.93	0.53	23.68
18	-400					0.27	16.97	0.25	15.57	0.27	16.97	0.26	15.68
20	-600					0.2	8.6	0.19	8.05	0.2	8.6	0.18	8.0
MAX. VACUUM:						25.0" hg	844.2 mbar	25.0" hg	844.2 mbar	25.0" hg	844.2 mbar	25.0" hg	844.2 mbar
MAX. AMBIENT TEMPERATURE:		158°F	70°C	158°F	70°C	158°F	70°C	158°F	70°C	158°F	70°C	158°F	70°C
MIN. AMBIENT TEMPERATURE:		-40°F	-40°C	-40°F	-40°C	-40°F	-40°C	-40°F	-40°C	-40°F	-40°C	-40°F	-40°C
MAX. RESTART PRESSURE:		150 PSI	10.3 bar	150 PSI	10.3 bar	150 PSI	10.3 bar	150 PSI	10.3 bar	150 PSI	10.3 bar	150 PSI	10.3 bar
MAX. RESTART VACUUM:		25.0" hg	844.2 mbar	25.0" hg	844.2 mbar	25.0" hg	844.2 mbar	25.0" hg	844.2 mbar	25.0" hg	844.2 mbar	25.0" hg	844.2 mbar
MOTOR VOLTAGE:		12v DC		12v DC		12v DC		12v DC		12v DC		12v DC	
HORSEPOWER:		1/5		1/5		1/5		1/5		1/5		1/5	
MOTOR TYPE:		Permanent Magnet		Permanent Magnet		Permanent Magnet		Permanent Magnet		Permanent Magnet		Permanent Magnet	
CURRENT AT RATED LOAD (AMPS):		13.7		17.2		19.3		19.6		8.4		8.6	
STARTING CURRENT (LOCKED ROTOR AMPS):		71		90		116		116		68		68	
INSULATION CLASS:		B		B		B		B		B		B	
MIN. FULL LOAD SPEED (RPM):		2300		3100		3100		3200		3100		3200	
THERMAL PROTECTOR:		Yes		Yes		Yes		Yes		Yes		Yes	
NET WEIGHT:		7.7 lbs.	3.5 Kg	7.7 lbs.	3.5 Kg	6.5 lbs.	2.95 Kg	6.5 lbs.	2.95 Kg	6.5 lbs.	2.95 Kg	6.5 lbs.	2.95 Kg
		T02-0230		T02-0231		331-10		337-07		355-09		359-14	

* Duty cycle may vary by application - consult factory
 ** Both units meet Radiated Emissions performance per 95/54 EC

The information presented in this material is based on technical data and test results of nominal units. It is believed to be accurate and reliable and is offered as an aid to help in the selection of Thomas products. It is the responsibility of the user to determine the suitability of the product for his intended use and the user assumes all risk and liability whatsoever in connection therewith. Thomas Industries does not warrant, guarantee or assume any obligation or liability in connection with this information.

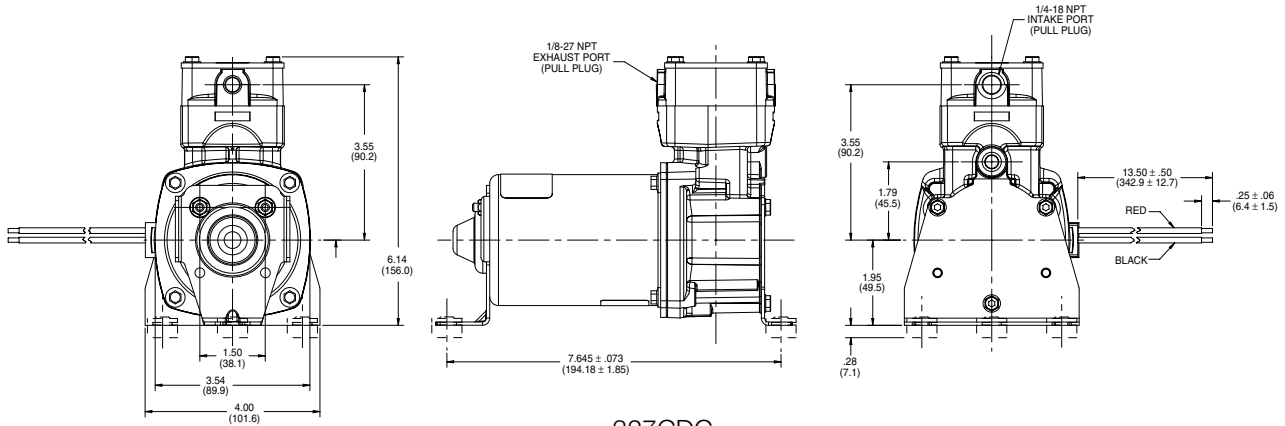
Note: Models pictured are representative of the series and do not represent a specific model number. Consult factory for detailed physical description.



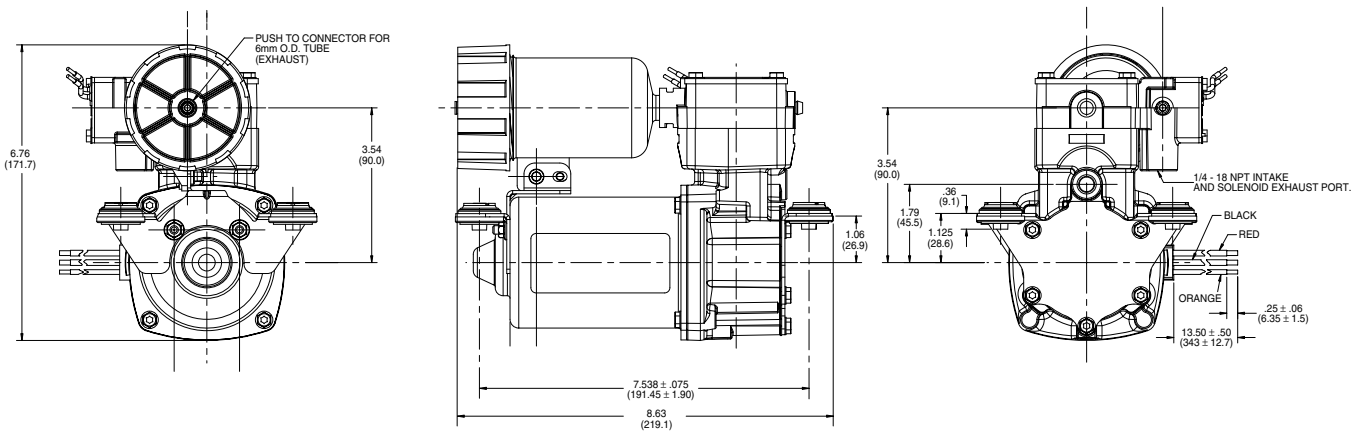
307/327/337 SERIES PERFORMANCE DATA:

DIMENSIONS:

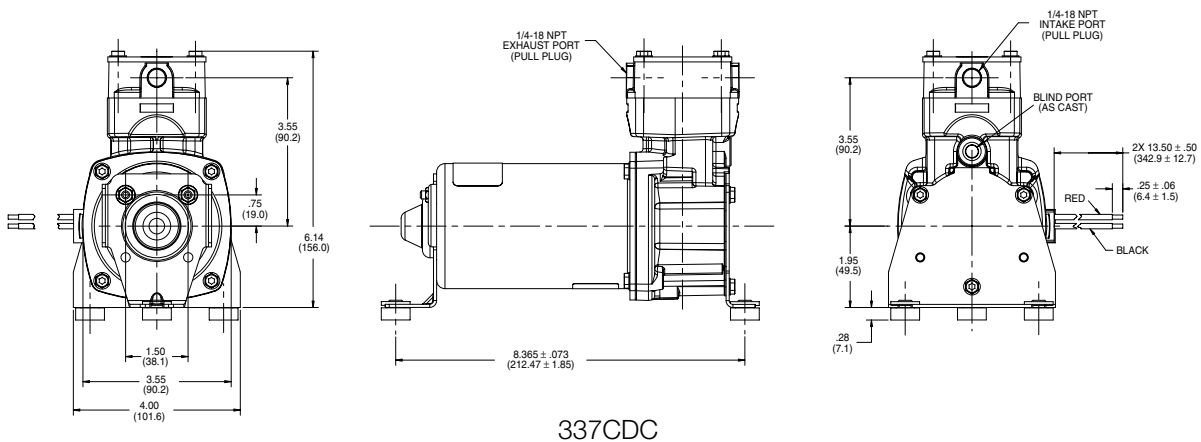
Millimeters are in ()



327CDC



307/327DDC



337CDC



1419 Illinois Avenue, P.O. Box 29
 Sheboygan, WI 53082-0029 USA
 (920) 457-4891 Fax (920) 451-4276
 Internet: <http://www.thomaspumps.com>